

V1.1

# KU PA BB 005250 – 2 A



## Manual

Directors: Ian Duke/Gustav Wenhold  
Reg no: HRB 3350 Hof, VAT-ID-No: DE 813343044, WEEEReg.-Nr. DE34186665

Kuhne electronic GmbH  
Scheibenacker 3, 95180 Berg  
Germany

A DIVISION OF

**ALARIS**  
THE RF TECHNOLOGY GROUP



## Specification

### Specifications (Ta = 25 °C):

<b>Type</b>	<b>KU PA BB 005250 – 2 A</b>
Frequency range	50 ... 2500 MHz
<b>Input power</b> For P1dB Maximum	typ. +3 dBm +10 dBm
<b>Output power</b> P1dB P1dB P3dB P3dB	min. 32.5 dBm (CW), typ. 33 dBm min. 1.8 W (CW), typ. 2 W min. 33.4 dBm (CW), typ. 34.7 dBm min. 2.2 W (CW), typ. 3 W
<b>Gain</b> Small signal Flatness (small signal)	min. 31 dB, typ. 33 dB typ. +/-1 dB
<b>Harmonics</b> Harmonic rejection @ 31.7 dBm	min. 25 dB, typ. 30 dB
<b>Intermodulation distortions</b> IM3 @ 30 dBm PEP (two tone test; Δf=1MHz)	min. 35 dBc
Efficiency @ 33 dBm (CW)	10 %
Input return loss (S11)	min. 10 dB
Supply voltage	+24 ... 26 V DC
Current consumption @ P1dB	typ. 750 mA
<b>Monitor output</b> Forward detection	yes (Diode-Detector)
<b>Limits</b> VSWR of load Operating case temperature range	max. 1.8:1 -20 ... +55 °C
<b>Mechanics</b> Input connector / impedance Output connector / impedance Case Dimensions (mm) Weight	SMA-female, 50 ohms SMA-female, 50 ohms milled aluminium 80 x 60 x 20 typ. 140 g

### Features:

- Reverse polarity protection
- Monitor output for forward power detection (DC voltage)

### Applications

- Test amplifier for high dynamic range applications
- Power amplifier for EMC measurement
- Power amplifier to increase the output level of standard signal generators or sweep signal generators

### Amplifier should be mounted on heat sink!

### Accessoires

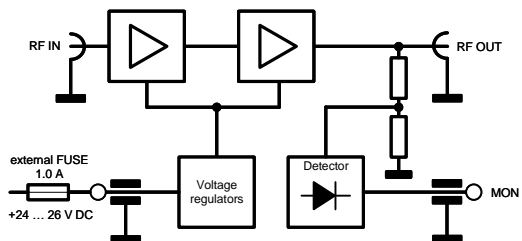
- Power supply RS 50-24
- Heat sink SK 120 – 75
- Fan 60 x 60, 24 V

### CE Conformity

- EMC directive 2014/30/EU
- Low voltage directive 2014/35/EU
- RoHS directive 2011/65/EU



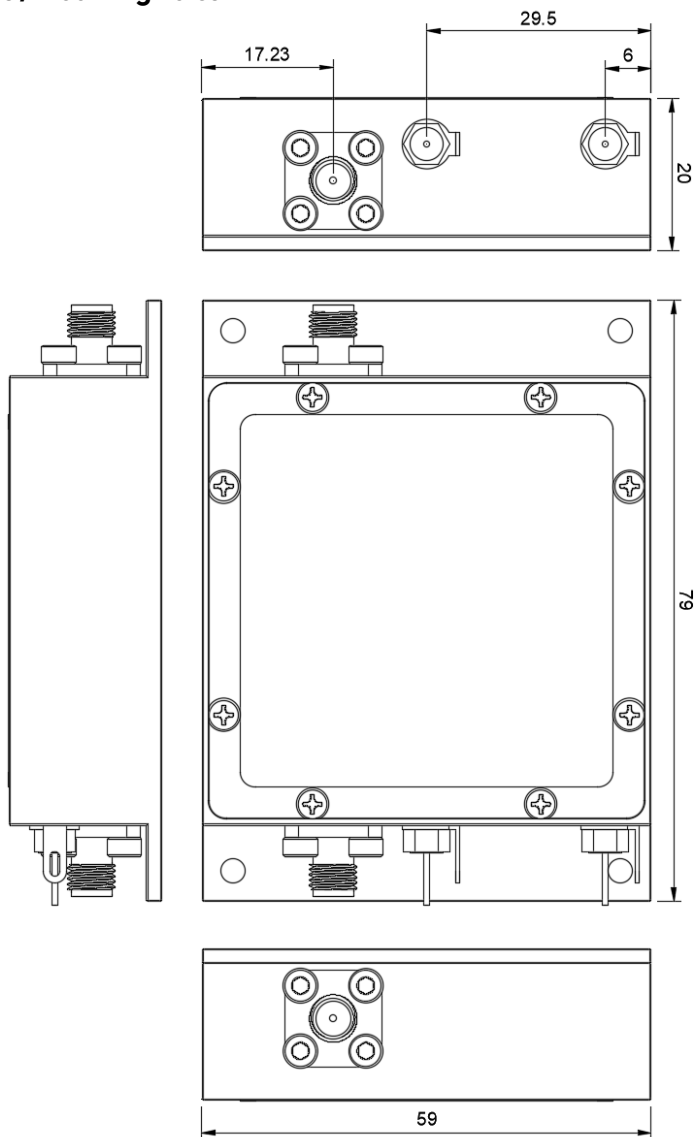
### Block diagram



### MON OUT

Output which monitors forward power (DC voltage), not calibrated

## Dimensions / Mounting holes



## Notes